

IE3三相异步电动机

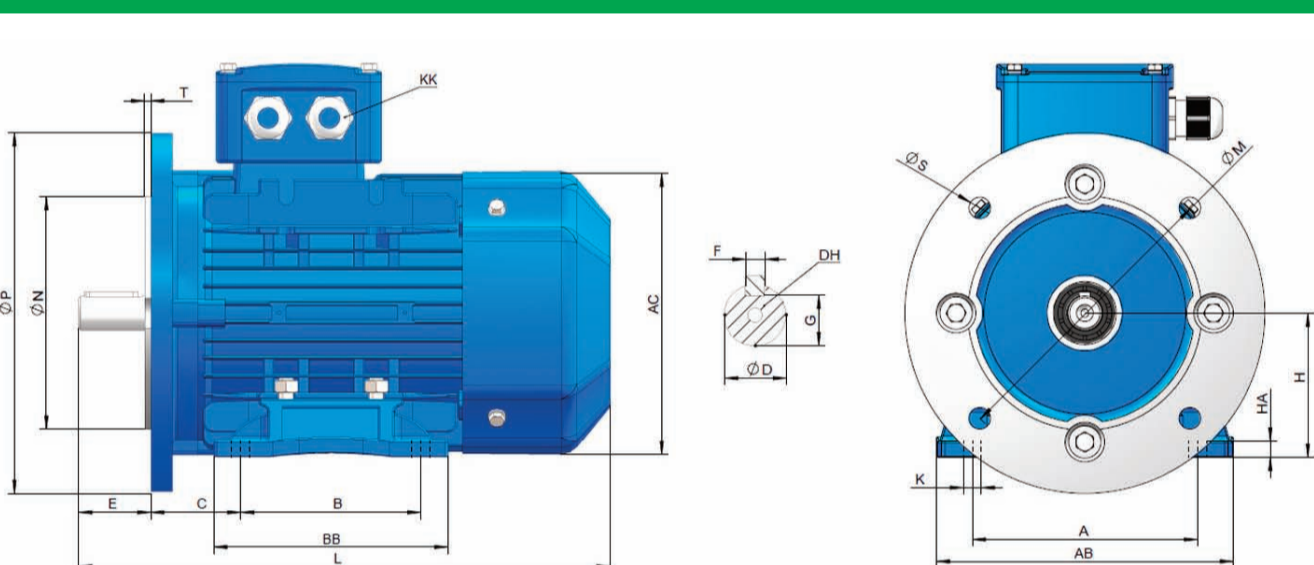


技术参数

TECHNICAL DATA OF IE3 SERIES

NO.	Frame reference and size	Rated power	Full load speed in revolutions per minute	Full load current at rated voltage	Efficiency	Power factor	Direct on line starting torque ratio	Direct on line starting current ratio	Direct on line pull-up torque ratio	Direct on line pull out torque ratio	Mean sound pressure level @1m on no load	Voltage
	Type	Output kW	Speed r/min	Amps (A)	EFF. %	P.F. CosΦ	LRT/RLT	LRA/RLA	Tmin/RLT	BDT/RLT	Noise LwdB(A)	Voltage V
1	IE3-80M1-2	0.75	2890	1.64	80.7	0.82	2.3	7.0	1.5	2.3	62	400
2	IE3-80M2-2	1.1	2890	2.31	82.7	0.83	2.2	7.3	1.5	2.3	62	400
3	IE3-90S-2	1.5	2890	3.06	84.2	0.84	2.2	7.6	1.5	2.3	67	400
4	IE3-90L-2	2.2	2890	4.35	85.9	0.85	2.2	7.6	1.4	2.3	67	400
5	IE3-100L-2	3	2895	5.71	87.1	0.87	2.2	7.8	1.4	2.3	74	400
6	IE3-112M-2	4	2910	7.45	88.1	0.88	2.2	8.3	1.4	2.3	77	400
7	IE3-132S1-2	5.5	2940	10.1	89.2	0.88	2.0	8.3	1.2	2.3	79	400
8	IE3-132S2-2	7.5	2940	13.7	90.1	0.88	2.0	7.9	1.2	2.3	79	400
9	IE3-160M1-2	11	2950	19.6	91.2	0.89	2.0	8.1	1.2	2.3	81	400
10	IE3-160M2-2	15	2950	26.5	91.9	0.89	2.0	8.1	1.2	2.3	81	400
11	IE3-160L-2	18.5	2950	32.5	92.4	0.89	2.0	8.2	1.1	2.3	81	400
12	IE3-180M-2	22	2960	38.5	92.7	0.89	2.0	8.2	1.1	2.3	83	400
13	IE3-200L1-2	30	2970	52.1	93.3	0.89	2.0	7.6	1.1	2.3	84	400
14	IE3-200L2-2	37	2970	64	93.7	0.89	2.0	7.6	1.1	2.3	84	400
15	IE3-225M-2	45	2970	76.8	94.0	0.90	2.0	7.7	1.0	2.3	86	400
16	IE3-250M-2	55	2980	93.5	94.3	0.90	2.0	7.7	1.0	2.3	89	400
17	IE3-280S-2	75	2980	127	94.7	0.90	1.8	7.1	0.9	2.3	91	400
18	IE3-280M-2	90	2980	152	95.0	0.90	1.8	7.1	0.9	2.3	91	400
19	IE3-315S-2	110	2980	185	95.2	0.90	1.8	7.1	0.9	2.3	92	400
20	IE3-315M-2	132	2980	224	94.5	0.90	1.8	7.1	0.9	2.3	92	400
21	IE3-315L1-2	160	2980	265	95.6	0.91	1.8	7.2	0.9	2.3	92	400
22	IE3-315L2-2	200	2980	331	95.8	0.91	1.8	7.2	0.8	2.2	92	400
23	IE3-355M-2	250	2980	414	95.8	0.91	1.6	7.2	0.8	2.2	100	400
24	IE3-355L-2	315	2980	522	95.8	0.91	1.6	7.2	0.8	2.2	100	400
25	IE3-80M4	0.75	1430	1.75	82.5	0.75	2.3	6.6	1.6	2.3	56	400
26	IE3-90S-4	1.1	1440	2.48	84.1	0.76	2.3	6.8	1.6	2.3	59	400
27	IE3-90L-4	1.5	1440	3.3	85.3	0.77	2.3	7.0	1.6	2.3	59	400
28	IE3-100L1-4	2.2	1455	4.52	86.7	0.81	2.3	7.6	1.5	2.3	64	400
29	IE3-100L2-4	3	1455	6.02	87.7	0.82	2.3	7.6	1.5	2.3	64	400
30	IE3-112M-4	4	1460	7.95	88.6	0.82	2.2	7.8	1.5	2.3	65	400
31	IE3-132S-4	5.5	1470	10.7	89.6	0.83	2.0	7.9	1.4	2.3	71	400
32	IE3-132M-4	7.5	1470	14.3	90.4	0.84	2.0	7.5	1.4	2.3	71	400
33	IE3-160M-4	11	1470	20.4	91.4	0.85	2.2	7.7	1.4	2.3	73	400
34	IE3-160L-4	15	1470	27.3	92.1	0.86	2.2	7.8	1.4	2.3	73	400
35	IE3-180M-4	18.5	1475	33.5	92.6	0.86	2.0	7.8	1.2	2.3	76	400
36	IE3-180L-4	22	1475	39.7	93.0	0.86	2.0	7.8	1.2	2.3	76	400
37	IE3-200L-4	30	1480	53.8	93.6	0.86	2.0	7.8	1.2	2.3	76	400
38	IE3-225M-4	37	1485	66.1	93.9	0.86	2.0	7.4	1.2	2.3	78	400
39	IE3-225M-4	45	1485	80.2	94.2	0.86	2.0	7.4	1.1	2.3	78	400
40	IE3-250M-4	55	1485	97.6	94.6	0.86	2.0	7.4	1.1	2.3	79	400
41	IE3-280S-4	75	1485	129	95.0	0.88	2.0	6.9	1.0	2.3	80	400
42	IE3-280M-4	90	1485	155	95.2	0.88	2.0	6.9	1.0	2.3	80	400
43	IE3-315S-4	110	1485	187	95.4	0.89	2.0	7.0	1.0	2.2	88	400
44	IE3-315M-4	132	1485	224	95.6	0.89	2.0	7.0	1.0	2.2	88	400
45	IE3-315L1-4	160	1485	271	95.8	0.89	2.0	7.1	1.0	2.2	88	400
46	IE3-315L2-4	200	1485	334	96.0	0.90	2.0	7.1	0.9	2.2	88	400
47	IE3-355M-4	250	1490	418	96.0	0.90	2.0	7.1	0.9	2.2	95	400
48	IE3-355L-4	315	1490	526	96.0	0.90	2.0	7.1	0.8	2.2	95	400
49	IE3-90S-6	0.75	955	1.93	78.9	0.71	2.0	6.0	1.5	2.1	57	400
50	IE3-90L-6	1.1	955	2.69	81.0	0.73	2.0	6.0	1.3	2.1	57	400
51	IE3-100L-6	1.5	955	3.6	82.5	0.73	2.0	6.5	1.3	2.1	61	400
52	IE3-112M-6	2.2	970	5.09	84.3	0.74	2.0	6.6	1.3	2.1	65	400
53	IE3-132S-6	3	970	6.84	85.6	0.74	2.0	6.8	1.3	2.1	69	400
54	IE3-132M1-6	4	970	8.99	86.8	0.74	2.0	6.8	1.3	2.1	69	400
55	IE3-132M2-6	5.5	970	12	88.0	0.75	2.0	7.0	1.3	2.1	69	400
56	IE3-160M-6	7.5	980	15.4	89.1	0.79	2.0	7.0	1.3	2.1	73	400
57	IE3-160L-6	11	980	22	90.3	0.80	2.0	7.2	1.2	2.1	73	400
58	IE3-180L-6	15	980	29.3	91.2	0.81	2.0	7.3	1.2	2.1	73	400
59	IE3-200L1-6	18.5	985	36	91.7	0.81	2.0	7.3	1.2	2.1	73	400
60	IE3-200L2-6	22	985	42.5	92.2	0.81	2.0	7.4	1.2	2.1	73	400
61	IE3-225M-6	30	985	56.2	92.9	0.83	2.0	6.9	1.2	2.1	74	400
62	IE3-250M-6	37	990	68.1	93.3	0.84	2.0	7.1	1.2	2.1	76	400
63	IE3-280S-6	45	990	81.6	93.7	0.85	2.0	7.3	1.1	2.0	78	400
64	IE3-280M-6	55	990	98.1	94.1	0.86	2.0	7.3	1.1	2.0	78	400
65	IE3-315S-6	75	990	136	94.6	0.84	2.0	6.6	1.0	2.0	83	400
66	IE3-315M-6	90	990	161	94.9	0.85	2.0	6.7	1.0	2.0	83	400
67	IE3-315L1-6	110	990	196	95.1	0.85	2.0	6.7	1.0	2.0	83	400
68	IE3-315L2-6	132	990	232	95.4	0.86	2.0	6.8	1.0	2.0	83	400
69	IE3-355M1-6	160	990	281	95.6	0.86	1.8	6.8	1.0	2.0	85	400
70	IE3-355M2-6	200	990	346	95.8	0.87	1.8	6.8	0.9	2.0	85	400
71	IE3-355L1-6	250	990	433	95.8	0.87	1.8	6.8	0.9	2.0	85	400
72	IE3-355L2-6	315	990	552	95.8	0.86	1.8	6.8	0.9	2.0	85	400

安装尺寸



MOUNTING DATA FOR IE3

Frame with feet and end-shield with flange (IB M35)

FRAME SIZE	POLES	A	A/2	B	C	D	E	F	G	H	K	M	N	P	S	T	FLANGE HOLES	AB	AC	AD	HD	L	DH*
80M	2 4 6 8	125	62.5	100	50	19	40	6	15.5	80	10	165	130	200	12	3.5	4	165	158	140	220	300	M6X16
90S	2 4 6 8	140	70	100	56	24	50	8	20	90	10	165	130	200	12	3.5	4	180	177	160	250	350	M8X19
90L	2 4 6 8	140	70	125	56	24	50	8	20	90	10	165	130	200	12	3.5	4	180	177	160	250	385	M8X19
100L	2 4 6 8	160	80	140	63	28	60	8	24	100	12	215	180	250	15	4	4	205	198	172	270	400	M10X22
112M	2 4 6 8	190	95	140	70	28	60	8	24	112	12	215	180	250	15	4	4	226	235	193	300	425	M10X22
132S	2 4 6 8	216	108	140	89	38	80	10	33	132	12	265	230	300	15	4	4	262	293	225	349	502	M12X28
132M	2 4 6 8	216	108	178	89	38	80	10	33	132	12	265	230	300	15	4	4	262	293	225	349	533	M12X28
160M	2 4 6 8	254	127	210	108	42	110	12	37	160	15	300	250	350	19	5	4	320	315	255	420	660	M16X36
160L	2 4 6 8	254	127	254	108	42	110	12	37	160	15	300	250	350	19	5	4	320	315	255	420	730	M16X36
180M	2 4 6 8	279	139.5	241	121	48	110	14	42.5	180	15	300	250	350	19	5	4	355	355	280	455	740	M16X36
180L	2 4 6 8	279	139.5	279	121	48	110	14	42.5	180	15	300	250	350	19	5	4	355	355	280	455	810	M16X36
200L	2 4 6 8	318	159	305	133	55	110	16	49	200	19	350	300	400	19	5	4	395	397	305	505	852	M20X42
225S	4 8	356	178	286	149	60	140	18	53	225	19	400	350	450	19	5	8	435	445	335	560	874	M20X42
225M	2	356	178	311	149	55	110	16	49	225	19	400	350	450	19	5	8	435	445	335	560	890	M20X