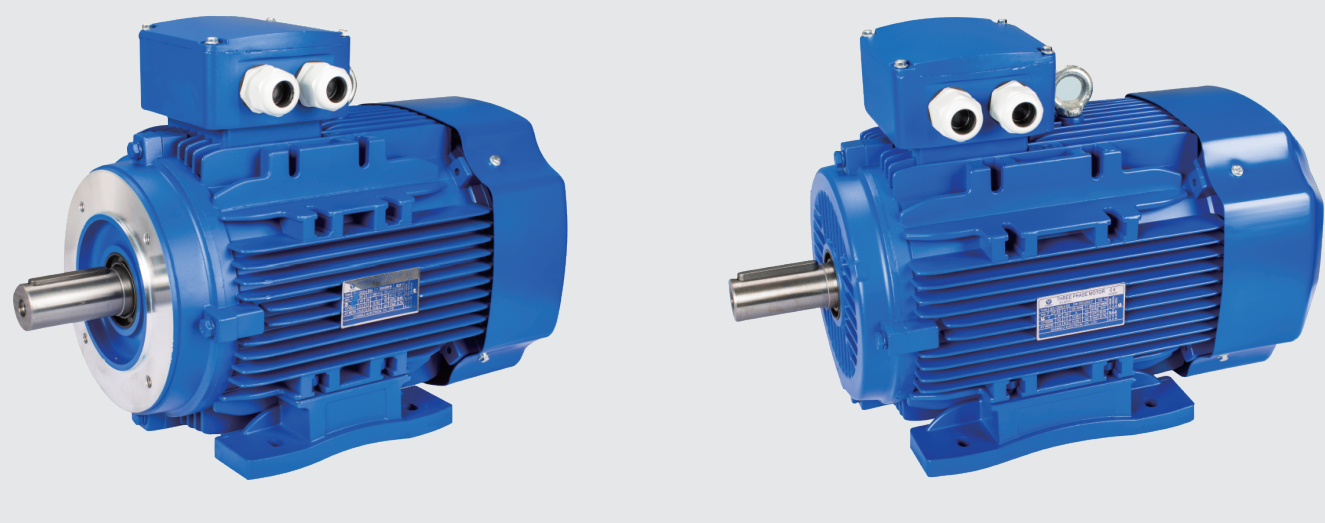


# GE3三相异步电动机



## 技术参数

### TECHNICAL DATA OF GL SERIES

NO.	Frame reference and size	Rated power	Full load current at rated voltage			Full load speed in	Direct on line starting	Direct on line pull out	Direct on line starting	Efficiency	Power factor	Mean sound	Weight	Rotor inertia WK <sup>2</sup>							
			Power	Amps											Speed	η	Power factor (cosφ)	Noise LwdB(A)	Weight kg	J	
				380V	400V																415V
2	GE3-56-2	0.12	0.38	0.37	0.35	2700	2.2	2.1	5.2	60.8	0.78	57	4	0.0023							
3	GE3-63M1-2	0.18	0.52	0.49	0.48	2720	2.3	2.3	5.5	65.9	0.8	61	4.5	0.0031							
4	GE3-63M2-2	0.25	0.67	0.64	0.62	2720	2.3	2.3	5.5	69.7	0.81	61	4.7	0.0036							
5	GE3-71M1-2	0.37	0.94	0.89	0.86	2755	2.2	2.3	6.1	73.8	0.81	64	6	0.0047							
6	GE3-71M2-2	0.55	1.31	1.24	1.20	2790	2.3	2.3	6.1	77.8	0.82	64	6.3	0.0059							
7	GE3-80M1-2	0.75	1.70	1.62	1.56	2845	2.3	2.2	6.1	80.7	0.83	67	9.5	0.0072							
8	GE3-80M2-2	1.1	2.41	2.29	2.20	2835	2.3	2.2	6.9	82.7	0.84	67	10.5	0.0094							
9	GE3-90S-2	1.5	3.22	3.06	2.95	2850	2.3	2.2	7	84.2	0.84	72	16	0.0129							
10	GE3-90L-2	2.2	4.58	4.35	4.19	2855	2.3	2.2	7	85.9	0.85	72	20	0.0185							
11	GE3-100L-2	3	6.02	5.71	5.51	2860	2.3	2.2	7.5	87.1	0.87	76	26	0.0259							
12	GE3-112M-2	4	7.84	7.45	7.18	2880	2.3	2.2	7.5	88.1	0.88	77	33.5	0.0362							
13	GE3-132S1-2	5.5	10.65	10.11	9.75	2900	2.3	2.2	7.5	89.2	0.88	80	45	0.0507							
14	GE3-132S2-2	7.5	14.37	13.65	13.16	2900	2.3	2.2	7.5	90.1	0.88	80	51	0.0699							
15	GE3-160M1-2	11	20.59	19.56	18.85	2930	2.3	2.2	7.5	91.2	0.89	86	103	0.0955							
16	GE3-160M2-2	15	27.86	26.47	25.51	2930	2.3	2.2	7.5	91.9	0.89	86	112.5	0.075							
17	GE3-160L-2	18.5	33.80	32.11	30.95	2930	2.3	2.2	7.5	92.4	0.9	86	130	0.124							

### TECHNICAL DATA OF GL SERIES

NO.	Frame reference and size	Rated power	Full load current at rated voltage			Full load speed in	Direct on line starting	Direct on line pull out	Direct on line starting	Efficiency	Power factor	Mean sound	Weight	Rotor inertia WK <sup>2</sup>							
			Power	Amps											Speed	η	Power factor (cosφ)	Noise LwdB(A)	Weight kg	J	
				380V	400V																415V
1	GE3-63M1-4	0.12	0.39	0.37	0.36	1310	2.2	2.1	4.4	64.8	0.72	52	4.5	0.0005							
2	GE3-63M2-4	0.18	0.54	0.51	0.49	1310	2.2	2.1	4.4	69.9	0.73	52	4.7	0.0006							
3	GE3-71M1-4	0.25	0.70	0.66	0.64	1340	2.2	2.1	5.2	73.5	0.74	55	6	0.0008							
4	GE3-71M2-4	0.37	0.97	0.92	0.89	1340	2.2	2.1	5.2	77.3	0.75	55	6.3	0.0013							
5	GE3-80M1-4	0.55	1.38	1.31	1.26	1390	2.3	2.4	5.2	80.8	0.75	58	12	0.0018							
6	GE3-80M2-4	0.75	1.82	1.73	1.66	1390	2.3	2.3	6	82.5	0.76	58	12.5	0.0021							
7	GE3-90S-4	1.1	2.58	2.45	2.36	1390	2.3	2.3	6	84.1	0.77	61	15.5	0.0023							
8	GE3-90L-4	1.5	3.43	3.25	3.14	1400	2.3	2.3	6	85.3	0.78	61	19	0.0027							
9	GE3-100L1-4	2.2	4.76	4.52	4.36	1420	2.3	2.3	7	86.7	0.81	64	27.5	0.0054							
10	GE3-100L2-4	3	6.34	6.02	5.80	1420	2.3	2.3	7	87.7	0.82	64	32	0.0067							
11	GE3-112M-4	4	8.37	7.95	7.66	1435	2.3	2.3	7	88.6	0.82	65	39	0.0095							
12	GE3-132S-4	5.5	11.24	10.68	10.29	1440	2.3	2.3	7	89.6	0.83	71	55.5	0.0214							
13	GE3-132M-4	7.5	15.01	14.26	13.74	1450	2.3	2.3	7	90.4	0.84	71	65	0.0296							
14	GE3-160M-4	11	21.51	20.44	19.70	1460	2.3	2.3	7	91.4	0.85	75	107.5	0.0747							
15	GE3-160L-4	15	29.11	27.66	26.66	1460	2.3	2.3	7	92.1	0.85	75	125	0.0918							

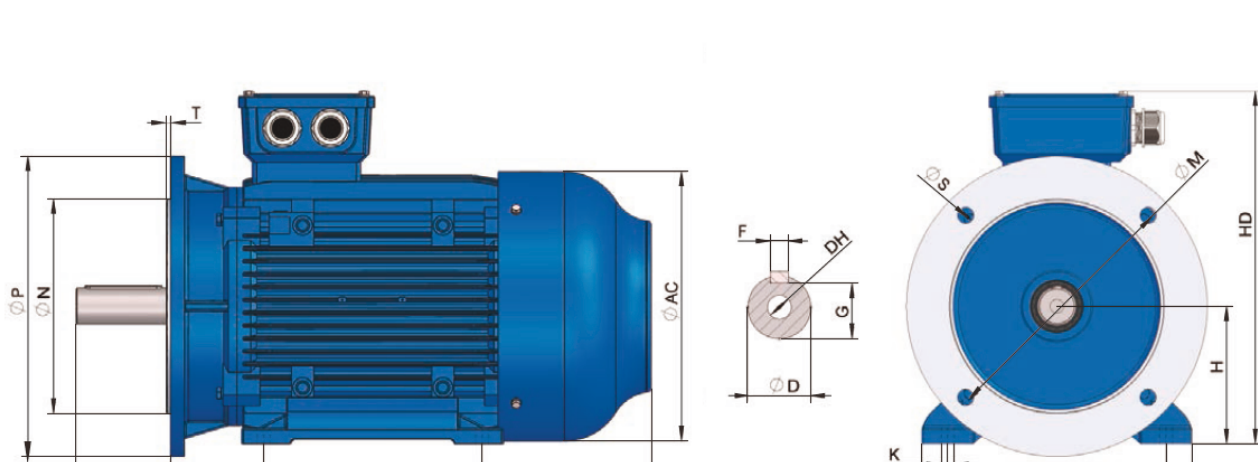
### TECHNICAL DATA OF GL SERIES

NO.	Frame reference and size	Rated power	Full load current at rated voltage			Full load speed in	Direct on line starting	Direct on line pull out	Direct on line starting	Efficiency	Power factor	Mean sound	Weight	Rotor inertia WK <sup>2</sup>							
			Power	Amps											Speed	η	Power factor (cosφ)	Noise LwdB(A)	Weight kg	J	
				380V	400V																415V
1	GE3-71M1-6	0.18	0.65	0.62	0.59	870	2	1.9	4	63.9	0.66	52	6	0.0011							
2	GE3-71M2-6	0.25	0.81	0.77	0.75	870	2	1.9	4	68.6	0.68	52	6.3	0.0014							
3	GE3-80M1-6	0.37	1.09	1.04	1.00	880	2	1.9	4.7	73.5	0.7	54	13	0.0016							
4	GE3-80M2-6	0.55	1.50	1.43	1.38	880	2.1	1.9	4.7	77.2	0.72	54	14	0.0019							
5	GE3-90S-6	0.75	2.01	1.91	1.84	905	2.1	2	5.3	78.9	0.72	57	16	0.0029							
6	GE3-90L-6	1.1	2.83	2.69	2.59	905	2.1	2	5.5	81	0.73	57	20.5	0.0035							
7	GE3-100L-6	1.5	3.63	3.45	3.33	920	2.1	2	5.5	82.5	0.76	61	26.5	0.0069							
8	GE3-112M-6	2.2	5.22	4.96	4.78	935	2.1	2	6.5	84.3	0.76	65	32.5	0.014							
9	GE3-132S-6	3	7.01	6.66	6.42	960	2.1	2.1	6.5	85.6	0.76	69	45	0.0286							
10	GE3-132M1-6	4	9.21	8.75	8.44	960	2.1	2.1	6.5	86.8	0.76	69	56.5	0.0357							
11	GE3-132M2-6	5.5	12.33	11.72	11.29	960	2.1	2.1	6.5	88	0.77	69	63	0.0449							
12	GE3-160M-6	7.5	16.40	15.58	15.01	970	2.1	2	6.5	89.1	0.78	73	102.5	0.081							
13	GE3-160L-6	11	23.43	22.26	21.45	970	2.1	2	6.5	90.3	0.79	73	116	0.116							

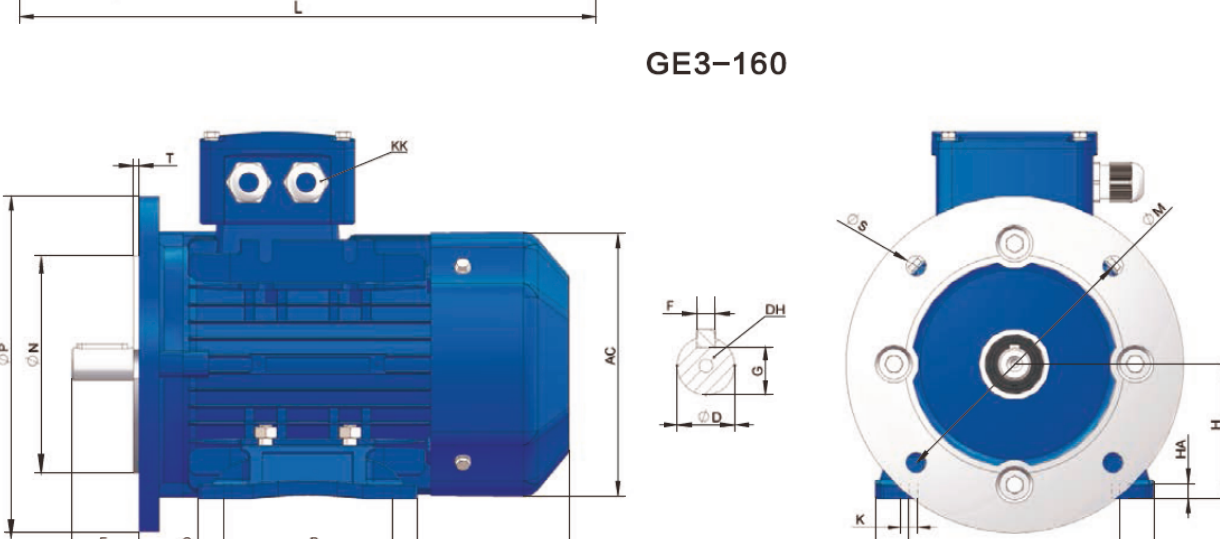
### TECHNICAL DATA OF GL SERIES

NO.	Frame reference and size	Rated power	Full load current at rated voltage			Full load speed in	Direct on line starting	Direct on line pull out	Direct on line starting	Efficiency	Power factor	Mean sound	Weight	Rotor inertia WK <sup>2</sup>							
			Power	Amps											Speed	η	Power factor (cosφ)	Noise LwdB(A)	Weight kg	J	
				380V	400V																415V
1	GE3-80M1-8	0.18	0.76	0.73	0.70	645	1.9	1.8	3.3	58.7	0.61	52	11.5	0.0025							
2	GE3-80M2-8	0.25	0.97	0.92	0.89	645	1.9	1.8	3.3	64.1	0.61	52	12.6	0.003							
3	GE3-90S-8	0.37	1.33	1.26	1.22	675	1.9	1.8	4	69.3	0.61	56	15	0.0051							
4	GE3-90L-8	0.55	1.88	1.78	1.72	680	2	1.8	4	73	0.61	56	17.2	0.0065							
5	GE3-100L1-8	0.75	2.27	2.15	2.08	680	2	1.8	4	75	0.67	59	26.5	0.0095							
6	GE3-100L2-8	1.1	3.12	2.96	2.85	680	2	1.8	5	77.7	0.69	59	29	0.011							
7	GE3-112M-8	1.5	4.09	3.88	3.74	690	2	1.8	5	79.7	0.7	61	32.5	0.0245							
8	GE3-132S-8	2.2	5.75	5.46	5.26	710	2	1.8	6	81.9	0.71	64	46	0.0314							
9	GE3-132M-8	3	7.48	7.10	6.85	710	2	1.8	6	83.5	0.73	64	52	0.0395							
10	GE3-160M1-8	4	9.82	9.33	8.99	720	2	1.9	6	84.8	0.73	68	89	0.0753							
11	GE3-160M2-8	5.5	13.10	12.45	12.00	720	2	2	6.5	86.2	0.74	68	103	0.0931							

## 安装尺寸



GE3-160



GE3-80-132

## FRAME WITH FEET AND END-SHIELD WITH FLANGE(IM B35)

FRAME SIZE	POLES	A	A/2	B	C	D	E	F	G	H	K	M	N	P	S	T	FLANGE HOLES	AB	AC	AD	HD	L	DH*
56	2 4 6 8	90	45	71	36	9	20	3	7.2	56	5.8	100	80	120	7	3	4	115	110	100	156	199	M4X12
63	2 4 6 8	100	50	80	40	11	23	4	8.5	63	7	115	95	140	10	3	4	137	123	111	174	221	M4X12
71	2 4 6 8	112	56	90	45	14	30	5	11	71	7	130	110	160	10	3.5	4	133	137	127	198	247	M5X12
80M	2 4 6 8	125	62.5	100	50	19	40	6	15.5	80	10	165	130	200	12	3.5	4	165	158	140	220	295	M6X16
90S	2 4 6 8	140	70	100	56	24	50	8	20	90	10	165	130	200	12	3.5	4	180	177	160	255	353	M8X19
90L	2 4 6 8	140	70	125	56	24	50	8	20	90	10	165	130	200	12	3.5	4	180	177	160	255	373	M8X19
100L	2 4 6 8	160	80	140	63	28	60	8	24	100	12	215	180	250	15	4	4	205	198	172	270	433	M10X22
112M	2 4 6 8	190	95	140	70	28	60	8	24	112	12	215	180	250	15	4	4	226	235	193	300	461	M10X22
132S	2 4 6 8	216	108	140	89	38	80	10	33	132	12	265	230	300	15	4	4	262	293	225	349	499	M12X28
132M	2 4 6 8	216	108	178	89	38	80	10	33	132	12	265	230	300	15	4	4	262	293	225	349	521	M12X28
160M	2 4 6 8	254	127	210	108	42	110	12	37	160	15	300	250	350	19	5	4	320	315	255	420	660	M16X36
160L	2 4 6 8	254	127	254	108	42	110	12	37	160	15	300	250	350	19	5	4	320	315	255	420	730	M16X36

## 接线盒数据

### 接线盒主要数据

接线盒分档	机座范围	最大满载电流	进线孔尺寸
1	H80	2.6	2×M20×1.5</